

Technical datas

GHE



N.B. Modello illustrato potrebbe non corrispondere a quello realmente fornito (tetto non presente nella versione standard)

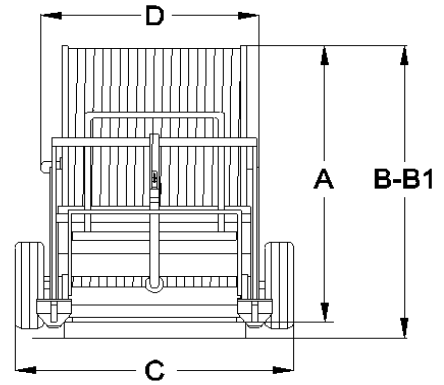
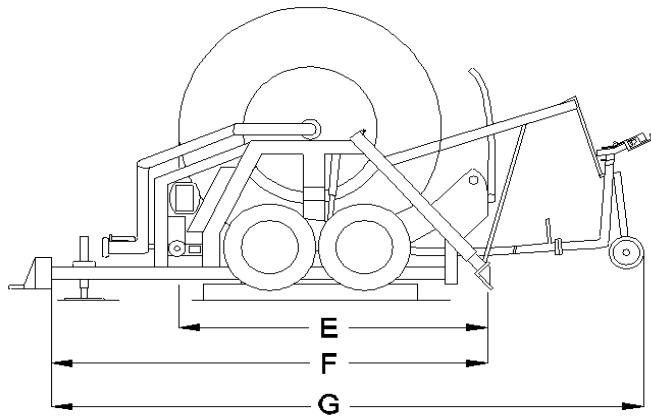
Standard equipment

- Efficient turbine drive mounted in monobloc with the gerabox;
- Double water inlet;
- 4 speed gearbox and equipped with automatic drive disengagement and assistance quick hose-rewinding;
- Compressor for PE-Hose emptying;
- Chassis on 4 wheels twin-axel;
- Safety devices for PTO and rrewinding out of the drum;
- Computer irrigamatic B2 for hose speed control;
- Moving transmission to the reel through toothed crown of huge diameter;
- Leadscrew hose layering device;
- Automatic and manual by-pass;
- Speed control;
- Pressure gauge and standard hours meters;
- Huge diametre ball 360° turntable;
- Trolley lifting, wheels lifting, Draw-bar hydraulic jack and staker legs actionned by levers distributor and by hoses with quick clutches to be connected to the tractor;
- Supplementary staker legs on the shaft;
- Galvanized frame and paint drum;
- Galvanized water-course and accessories;
- 3 wheel galvanized sprinkler-trolley with adjustable track;
- Accident protections;
- Sprinkler with 3 nozzles set;
- Supply hose 4 mt.;
- High resistant "Medium density" PE-hose with differentiated thickness from ø90 on;
- Instructions and maintenance handbook;
- Guarantee coupon.

Model	Code	Hose diameter ϕ (mm.)	Hose lenght (m.)	Sprinkler
GHE	125 IG 750	125	750	EXPLORER
	140 IG 650	140	650	EXPLORER
	140 IG 700	140	700	EXPLORER
	150 IG 550	150	550	EXPLORER
	150 IG 600	150	600	EXPLORER
	160 IG 450	160	450	MASTER
	160 IG 480	160	480	MASTER

hose mm	nozzle mm	machine pressure atm						sprinkler pressure atm	throw m	irrigated width m	capacity l/sec. l/min.		irrigated surface ha					rain mm. 10 m/h 30 m/h 50 m/h			
		750m											750m								
125	32	10,5					4,0	54,0	92	21,4	1282	7,22						83,8	27,9	16,8	
		13,0					5,0	58,0	99	23,9	1432	7,78						87,1	29,0	17,4	
	34	17,7					6,0	64,0	109	29,6	1773	8,62						97,8	32,6	19,6	
		20,5					7,0	68,0	116	31,9	1913	9,19						99,3	33,1	19,9	
	36	23,7					7,0	70,0	119	35,7	2143	9,48							108,1	36,0	21,6
		26,9					8,0	74,0	126	38,3	2295	10,06							109,5	36,5	21,9
		650m	700m									650m	700m								
140	34	9,5	9,9				5,0	59,0	100	27,0	1618	6,91	7,42					96,8	32,3	19,4	
		11,2	11,7				6,0	64,0	109	29,6	1773	7,54	8,08					97,8	32,6	19,6	
	36	12,4	13,0				6,0	66,0	112	33,1	1988	7,79	8,35					106,3	35,4	21,3	
		14,3	15,0				7,0	70,0	119	35,7	2143	8,29	8,89					108,1	36,0	21,6	
	38	15,9	16,7				7,0	72,0	122	39,8	2390	8,54	9,16						117,2	39,1	23,4
		18,1	19,0				8,0	76,0	129	42,6	2558	9,05	9,70						118,8	39,6	23,8
		550m	600m									550m	600m								
150	34	7,7	7,9				5,0	59,0	100	27,0	1618	5,91	6,41					96,8	32,3	19,4	
		9,1	9,4				6,0	64,0	109	29,6	1773	6,45	6,99					97,8	32,6	19,6	
	36	9,7	10,1				6,0	66,0	112	33,1	1988	6,67	7,23					106,3	35,4	21,3	
		11,2	11,6				7,0	70,0	119	35,7	2143	7,10	7,70					108,1	36,0	21,6	
	38	12,1	12,6				7,0	72,0	122	39,8	2390	7,32	7,93						117,2	39,1	23,4
		13,7	14,3				8,0	76,0	129	42,6	2558	7,76	8,41						118,8	39,6	23,8
		450m	480m									450m	480m								
160	34	6,9	7,0				5,0	61,0	104	27,0	1618	5,09	5,40					93,6	31,2	18,7	
		8,2	8,3				6,0	66,0	112	29,6	1773	5,54	5,88					94,8	31,6	19,0	
	36	8,6	8,8				6,0	68,0	116	33,1	1988	5,73	6,07					103,2	34,4	20,6	
		9,9	10,1				7,0	72,0	122	35,7	2143	6,10	6,46					105,1	35,0	21,0	
	38	10,5	10,8				7,0	74,0	126	39,8	2390	6,28	6,66						114,0	38,0	22,8
		11,9	12,2				8,0	78,5	133	42,6	2558	6,70	7,10						115,0	38,3	23,0

Weight and overall dimensions



Model	A	B	B1	C	D	E	F	G	Kg
GHE	3732	4282	4032	2900	2410	3600	4800	5700	10500-11000

B=Height of the machine on the wheels B1=Height of the machine on the ground

I dati della presente scheda sono indicativi, possono variare senza preavviso.



Tech. Dpt.