

## Technical datas

### GHD (LUX)



*N.B. Modello illustrato potrebbe non corrispondere a quello realmente fornito (fatto non presente nella versione standard)*

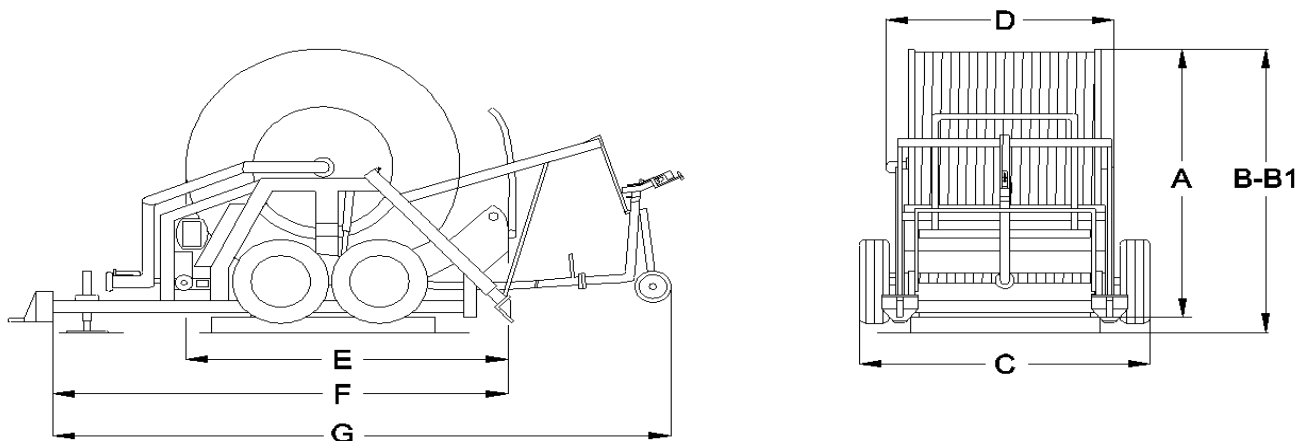
#### Standard equipment

- Efficient turbine drive mounted in monobloc with the gerabox;
- Double water inlet;
- 4 speed gearbox and equipped with automatic drive disengagement and assistance quick hose-rewinding;
- Compressor for PE-Hose emptying;
- Chassis on 4 wheels twin-axel;
- Safety devices for PTO and rrewinding out of the drum;
- Computer irrigamatic B2 for hose speed control;
- Moving transmission to the reel through toothed crown of huge diameter;
- Leadscrew hose layering device;
- Automatic and manual by-pass;
- Speed control;
- Pressure gauge and new conception computerized hours meter;
- Huge diametre ball 360° turntable;
- Trolley lifting, wheels lifting, Draw-bar hydraulic jack and staker legs actionned by levers distributor and by hoses with quick clutches to be connected to the tractor;
- Supplementary staker legs on the shaft;
- Galvanized frame and drum;
- Galvanized water-course and accessories;
- 3 wheel galvanized sprinkler-trolley with adjustable track;
- Accident protections;
- Sprinkler with 3 nozzles set;
- Supply hose 4 mt.;
- High resistant "Medium density" PE-hose with differentiated thickness from ø90 on;
- Instructions and maintenance handbook;
- Guarantee coupon.

Model	Code	Hose diameter $\phi$ (mm.)	Hose lenght (m.)	Sprinkler
GHD	125/650	125	650	EXPLORER
	125/700	125	700	EXPLORER
	140/500	140	500	EXPLORER
	140/550	140	550	EXPLORER
	140/600	140	600	EXPLORER
	150/420	150	420	EXPLORER
	150/500	150	500	EXPLORER
	160/400	160	400	MASTER

hose mm	nozzle mm	machine pressure atm						sprinkler pressure atm	throw m	irrigated width m	capacity		irrigated surface ha						rain mm.				
		650m	700m								l/sec.	l/min.	650m	700m						10 m/h	30 m/h	50 m/h	
125	32	6,7	7,1					3,0	49,0	93	19,2	1152	6,61	7,07						67,5	22,5	13,5	
		8,8	9,3					4,0	52,0	98	22,5	1350	7,00	7,49						75,5	25,1	15,0	
	36	10,8	11,5					4,0	57,0	108	27,8	1668	7,78	8,32						84,4	28,1	16,9	
		12,9	13,6					5,0	61,0	116	30,2	1812	8,42	9,00						85,3	28,4	17,1	
	38	14,5	15,4					5,0	63,0	119	33,7	2022	8,66	9,44						92,6	30,9	18,5	
		17,4	18,5					6,0	67,0	127	37,4	2244	9,31	9,94						96,5	32,2	19,3	
140	34	4,9	5,2	5,4				3,0	51,0	96	21,8	1308	5,50	6,01	6,36					73,3	24,4	14,7	
		6,4	6,8	7,0				4,0	53,5	101	25,4	1524	5,79	6,33	6,73					81,1	27,0	16,2	
	38	7,2	7,6	8,0				4,0	58,5	111	30,2	1812	6,38	6,97	7,46					87,8	29,3	17,6	
		8,8	9,4	9,8				5,0	63,0	119	33,7	2032	6,92	7,55	8,07					91,4	30,5	18,3	
	40	9,5	10,2	10,7				5,0	64,0	121	37,4	2244	7,04	7,68	8,22					99,7	33,2	20,0	
		11,2	12,0	12,6				6,0	68,0	129	41,0	2460	7,52	8,20	8,83					102,5	34,2	20,5	
150	34	6,7	7,0					5,0	59,0	100	26,9	1618	4,88	5,68						97,1	32,4	19,4	
		8,0	8,3					6,0	64,0	109	29,5	1773	5,39	6,26						97,6	32,5	19,5	
	36	7,0	7,4					5,0	61,0	104	30,2	1813	5,10	5,94						104,6	34,6	20,9	
		8,3	8,8					6,0	66,0	112	33,1	1988	5,56	6,46						106,5	35,5	21,3	
	38	7,4	7,8					5,0	63,0	107	33,6	2021	5,28	6,13						113,3	37,8	22,7	
		8,7	9,3					6,0	68,0	116	36,9	2214	5,79	6,72						114,6	38,2	22,9	
160	38	7,0						5,0	65,0	111	33,7	2022	5,28							109,3	36,4	21,9	
		8,3						6,0	69,5	118	36,9	2216	5,68							112,7	37,6	22,5	
	40	8,7						6,0	71,0	121	40,9	2455	5,84							121,7	40,6	24,3	
		10,0						7,0	76,0	129	44,1	2648	6,30							123,2	41,1	24,6	
	42	9,1						6,0	72,0	122	45,1	2706	5,90								133,1	44,4	26,6
		10,5						7,0	77,5	132	48,7	2919	6,48								132,7	44,2	26,5

## Weight and overall dimensions



Model	A	B	B1	C	D	E	F	G	Kg
GHD	3700	4250	4000	2900	2410	3600	4800	5700	9300-9800

**B**=Height of the machine on the wheels    **B1**=Height of the machine on the ground  
 I dati della presente scheda sono indicativi, possono variare senza preavviso.



Tech. Dpt.