

Technical datas

GHD (BASE)

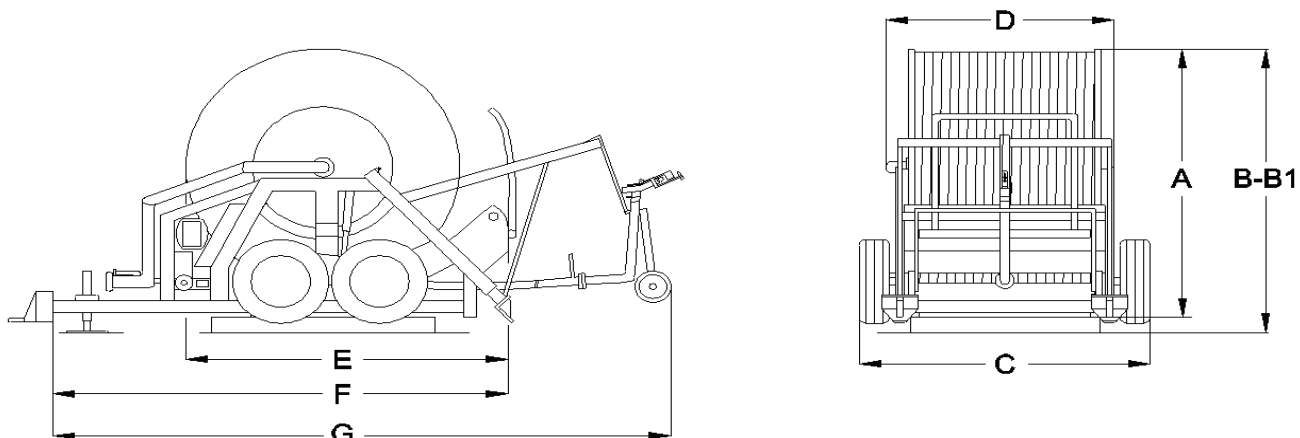


N.B. Modello illustrato potrebbe non corrispondere a quello realmente fornito (tetto non presente nella versione standard)

Standard equipment

- Efficient turbine drive mounted in monobloc with the gerabox;
- Double water inlet;
- 4 speed gearbox and equipped with automatic drive disengagement and assistance quick hose-rewinding;
- Compressor for PE-Hose emptying;
- Chassis on 4 wheels twin-axel;
- Safety devices for PTO and rewinding out of the drum;
- Computer irrigamatic P150 for hose speed control;
- Moving transmission to the reel through toothed crown of huge diameter;
- Leadscrew hose layering device;
- Automatic and manual by-pass;
- Speed control;
- Pressure gauge and standard hours meters;
- Huge diameter ball 360° turntable;
- Trolley lifting, wheels lifting, Draw-bar hydraulic jack and staker legs actionned by levers distributor and by hoses with quick clutches to be connected to the tractor;
- Supplementary staker legs on the shaft;
- Galvanized frame and paint drum;
- Galvanized water-course and accessories;
- 3 wheel galvanized sprinkler-trolley with adjustable track;
- Accident protections;
- Sprinkler with 3 nozzles set;
- Supply hose 4 mt.;
- High resistant "Medium density" PE-hose with differentiated thickness from $\varnothing 90$ on;
- Instructions and maintenance handbook;
- Guarantee coupon.

Weight and overall dimensions



Model	A	B	B1	C	D	E	F	G	Kg
GHD	3700	4250	4000	2900	2410	3600	4800	5700	9300-9800

B=Height of the machine on the wheels **B1**=Height of the machine on the ground
 I dati della presente scheda sono indicativi, possono variare senza preavviso.



Tech. Dpt.

