

Technical datas

GHC (BASE)



N.B. Modello illustrato potrebbe non corrispondere a quello realmente fornito (fatto non presente nella versione standard)

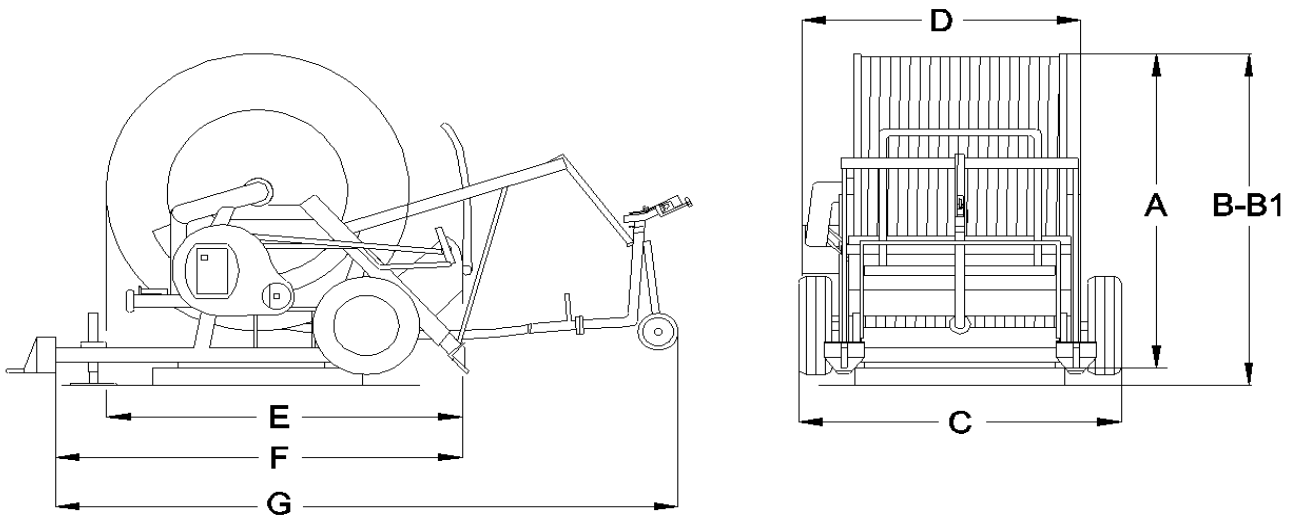
Standard equipment

- Efficient turbine drive mounted in monobloc with the gerabox;
- Double water inlet;
- 4 speed gearbox and equipped with automatic drive disengagement and assistance quick hose-rewinding;
- Compressor for PE-Hose emptying;
- 2 wheels frame;
- Safety devices for PTO and rewinding out of the drum;
- Computer irrigamatic P150 for hose speed control;
- Moving transmission to the reel through toothed crown of huge diameter;
- Leadscrew hose layering device;
- Automatic and manual by-pass;
- Speed control;
- Pressure gauge and standard hours meters;
- Huge diameter ball 360° turntable;
- Trolley lifting, wheels lifting, Draw-bar hydraulic jack and staker legs actionned by levers distributor and by hoses with quick clutches to be connected to the tractor;
- Supplementary staker legs on the shaft;
- Galvanized frame and paint drum;
- Galvanized water-course and accessories;
- 3 wheel galvanized sprinkler-trolley with adjustable track;
- Accident protections;
- Sprinkler with 3 nozzles set;
- Supply hose 4 mt.;
- High resistant "Medium density" PE-hose with differentiated thickness from ø90 on;
- Instructions and maintenance handbook;
- Guarantee coupon.

Model	Code	Hose diameter ϕ (mm.)	Hose lenght (m.)	Sprinkler
GHC	125/550	125	550	EXPLORER
	125/600	125	600	EXPLORER
	125/650	125	650	EXPLORER
	140/450	140	450	EXPLORER
	140/500	140	500	EXPLORER
	150/350	150	350	EXPLORER
	150/400	150	400	EXPLORER

hose	nozzle	machine pressure						sprinkler pressure	throw	irrigated width	capacity		irrigated surface						rain mm.										
		atm									l/sec.	l/min.	ha						10 m/h	30 m/h	50 m/h								
mm	mm	550m	600m	650m				atm	m	m			550m	600m	650m														
125	32	6,0	6,2	6,8				3,0	49,0	93	19,2	1152	5,68	6,25	6,61											67,5	22,5	13,5	
		7,8	8,2	8,8				4,0	52,0	98	22,5	1350	6,02	6,66	7,00											75,5	25,1	15,0	
	36	9,4	10,0	10,9				4,0	57,0	108	27,8	1668	5,70	7,35	7,79												84,4	28,1	16,9
		11,2	11,9	12,9				5,0	61,0	116	30,2	1812	7,26	7,90	8,42												85,3	28,4	17,1
	38	12,4	13,3	14,5				5,0	63,0	119	33,7	2022	7,47	8,18	8,67												92,6	30,9	18,5
		14,9	16,1	17,4				6,0	67,0	127	37,4	2244	8,04	8,74	9,31												96,5	32,2	19,3
		450m	500m										450m	500m															
140	34	4,7	4,9					3,0	51,0	96	21,8	1308	4,99	5,50													73,3	24,4	14,7
		6,1	6,4					4,0	53,5	101	25,4	1524	5,26	5,79													81,1	27,0	16,2
	38	6,8	7,2					4,0	58,5	111	30,2	1812	5,80	6,38													87,8	29,3	17,6
		8,3	8,8					5,0	63,0	119	33,7	2032	6,29	6,92													91,4	30,5	18,3
	40	8,9	9,5					5,0	64,0	121	37,4	2244	6,40	7,04													99,7	33,2	20,0
		10,5	11,2					6,0	68,0	129	41,0	2460	6,84	7,52													102,5	34,2	20,5
		350m	400m										350m	400m															
150	34	6,5	6,6					5,0	59,0	100	26,9	1618	4,18	4,68													97,1	32,4	19,4
		7,6	7,9					6,0	64,0	109	29,5	1773	4,63	5,17													97,6	32,5	19,5
	36	6,7	6,9					5,0	61,0	104	30,2	1813	4,38	4,90													104,6	34,6	20,9
		7,9	8,2					6,0	66,0	112	33,1	1988	4,78	5,34													106,5	35,5	21,3
	38	7,0	7,2					5,0	63,0	107	33,6	2021	4,53	5,06													113,3	37,8	22,7
		8,2	8,6					6,0	68,0	116	36,9	2214	4,98	5,56													114,6	38,2	22,9

Weight and overall dimensions



Model	A	B	B1	C	D	E	F	G	Kg
GHC	3650	4200	3950	2740	2410	3500	4500	5400	7450-7550

B=Height of the machine on the wheels **B1**=Height of the machine on the ground

I dati della presente scheda sono indicativi, possono variare senza preavviso.



Tech. Dpt.