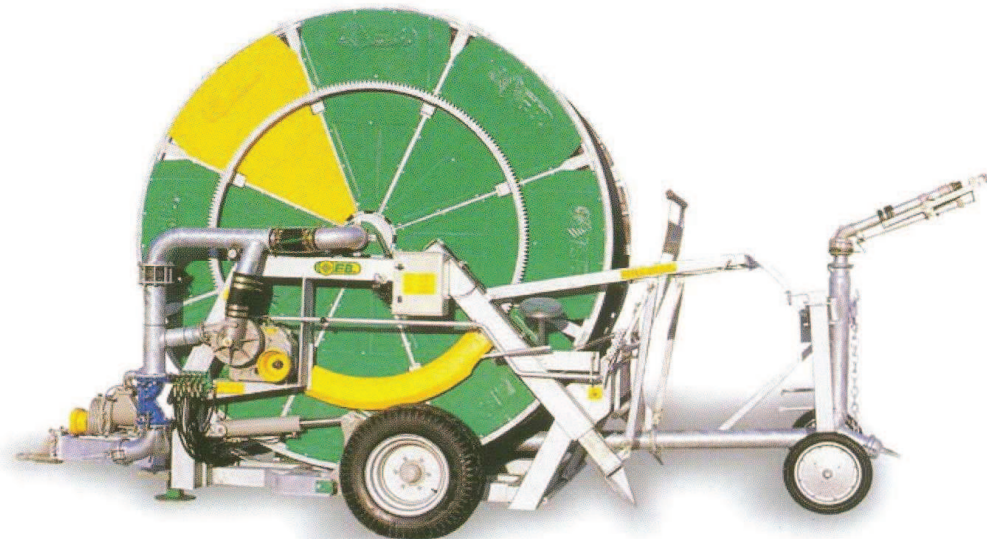


Technical datas

GHB (LUX)



N.B. Le model dans la photo pourrait etre different de la realité

Standard equipment

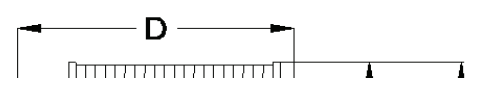
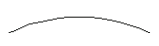
- Efficient turbine drive mounted in monobloc with the gerabox;
- Double water inlet;
- 4 speed gearbox and equipped with automatic drive disengagement and assistance quick hose-rewinding;
- Safety devices for PTO and rewinding out of the drum;
- Moving transmission to the reel through toothed crown of huge diameter;
- Leadscrew hose layering device;
- Automatic and manual by-pass;
- Speed control;
- Pressure gauge and new conception computerized hours meter;
- Huge diametre ball 360° turntable;
- Trolley lifting, wheels lifting, Draw-bar hydraulic jack and staker legs actionned by levers distributor and by hoses with quick clutches to be connected to the tractor;
- Supplementary staker legs on the shaft;
- Galvanized frame and drum;
- Galvanized water-course and accessories;
- 3 wheel galvanized sprinkler-trolley with adjustable track;
- Accident protections;
- Sprinkler with 3 nozzles set;
- Supply hose 4 mt.;
- High resistant "Medium density" PE-hose with differentiated thickness from ø90 on;
- Instructions and maintenance handbook;
- Guarantee coupon.

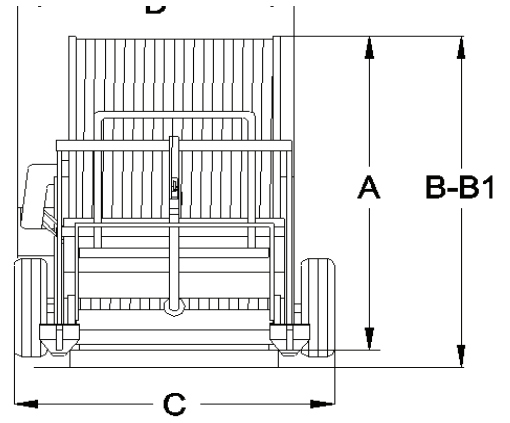
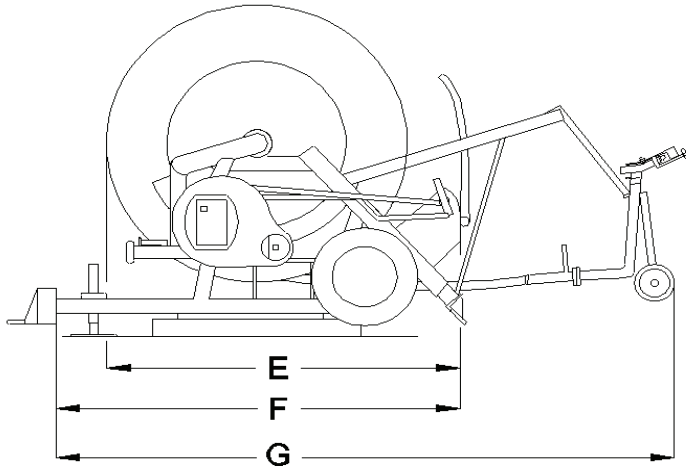
Model	Code	Hose diameter ø (mm.)	Hose lenght (m.)	Sprinkler
-------	------	-----------------------	------------------	-----------

GHB	110/500	110	500	RANGER
	110/550	110	550	RANGER
	110/600	110	600	RANGER
	125/450	125	450	EXPLORER
	125/500	125	500	EXPLORER
	140/350	140	350	EXPLORER
	140/400	140	400	EXPLORER
	150/300	150	300	EXPLORER

hose mm	nozzle mm	machine pressure atm						sprinkler pressure atm	throw m	irrigated width m	capacity		irrigated surface ha						rain mm.		
		500m	550m	600m							l/sec.	l/min.	500m	550m	600m				10 m/h	30 m/h	50 m/h
110	28	6,0	6,4	6,8				3,0	46,0	87	14,8	888	4,84	5,39	5,71				55,6	18,5	11,1
		7,9	8,3	8,9				4,0	49,0	93	17,2	1032	5,21	5,76	6,14				60,4	21,1	12,1
	30	8,8	9,5	10,2				4,0	51,0	97	19,8	1188	5,46	6,01	6,43				66,7	22,2	13,3
		10,8	11,5	12,4				5,0	55,0	104	22,0	1320	5,91	6,52	6,95				69,1	23,0	13,8
	32	12,1	13,1	14,1				5,0	55,5	105	24,9	1497	5,97	6,58	7,02				77,3	25,8	15,5
		13,3	14,4	15,6				5,5	58,0	110	26,4	1584	6,29	6,90	7,39				78,3	26,1	15,7
125	32	5,2	5,6					3,0	49,0	93	19,2	1152	4,78	5,27				67,5	22,5	13,5	
		6,8	7,3					4,0	52,0	98	22,5	1350	5,10	5,62				75,5	25,1	15,0	
	36	8,0	8,7					4,0	57,0	108	27,8	1668	5,64	6,21				84,4	28,1	16,9	
		9,6	10,4					5,0	61,0	116	30,2	1812	6,07	6,68				85,3	28,4	17,1	
	38	10,5	11,5					5,0	63,0	119	33,7	2022	6,29	6,92				92,6	30,9	18,5	
		12,6	13,7					6,0	67,0	127	37,4	2244	6,73	7,40				96,5	32,2	19,3	
140	34	4,4	4,5					3,0	51,0	96	21,8	1308	3,96	4,48				73,3	24,4	14,7	
		5,7	5,9					4,0	53,5	101	25,4	1524	4,20	4,72				81,1	27,0	16,2	
	38	6,2	6,4					4,0	58,5	111	30,2	1812	4,69	5,21				87,8	29,3	17,6	
		7,6	7,9					5,0	63,0	119	33,7	2032	5,09	5,66				91,4	30,5	18,3	
	40	8,0	8,4					5,0	64,0	121	37,4	2244	5,19	5,76				99,7	33,2	20,0	
		9,5	10,0					6,0	68,0	129	41,0	2460	5,60	6,16				102,5	34,2	20,5	
150	34	6,3						5,0	59,0	100	26,9	1618	3,68					97,1	32,4	19,4	
		7,4						6,0	64,0	109	29,5	1773	4,08					97,6	32,5	19,5	
	36	6,5						5,0	61,0	104	30,2	1813	3,86					104,6	34,6	20,9	
		7,7						6,0	66,0	112	33,1	1988	4,22					106,5	35,5	21,3	
	38	6,7						5,0	63,0	107	33,6	2021	3,99					113,3	37,8	22,7	
		7,9						6,0	68,0	116	36,9	2214	4,40					114,6	38,2	22,9	

Weight and overall dimensions





Série	A	B	B1	C	D	E	F	G	Kg
GHB	3200**	3700**	3500**	2640	2410	3100	4100	5100	5000-5500

B=Height of the machine on the wheels **B1**=Height of the machine on the ground

** +100 su 140/350 140/400



Tech. Dpt.

