

## Ferborain technical sheet

### GG



N.B.: The model in the photo has more accessories than standard equipment and can be different from the supplied one

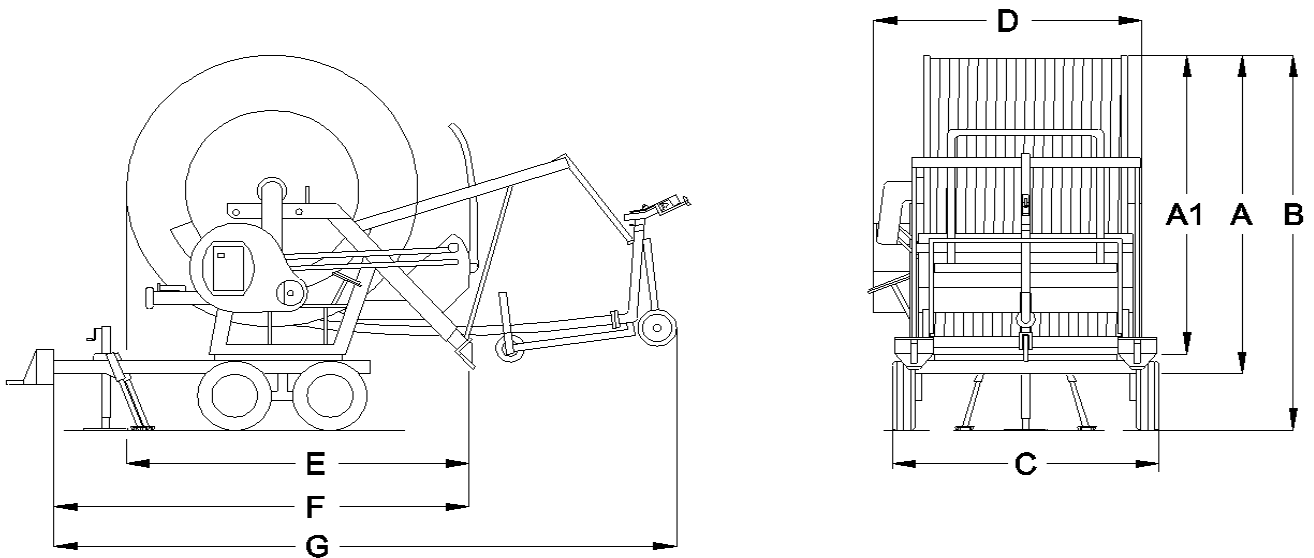
#### Standard equipment

- Efficient turbine drive mounted in monobloc with the gearbox;
- Double water inlet;
- 4 speed gearbox and equipped with automatic drive disengagement and assistance quick hose-rewinding;
- Safety devices for PTO and rewinding out of the drum;
- Moving transmission to the reel through toothed crown of huge diameter;
- Leadscrew hose layering device;
- Automatic and manual by-pass;
- Speed control;
- Pressure gauge and standard hours meters;
- Huge diameter ball 360° turntable;
- Rotation device directly setting by hydraulic trolley lift;
- Hydraulic trolley lift and staker legs;
- Supplementary staker legs on the shaft;
- Galvanized frame and paint drum;
- Galvanized water-course and accessories;
- 3 wheel galvanized sprinkler-trolley with adjustable track;
- Accident protections;
- Sprinkler with 3 nozzles set;
- High resistant "Medium density" PE-hose with differentiated thickness from  $\varnothing 90$  on;
- Instructions and maintenance handbook;
- Guarantee coupon.

Model	Code	Hose diameter $\varnothing$ (mm.)	Hose lenght (m.)	Sprinkler
GG	110/600	110	600	RANGER
	125/500	125	500	EXPLORER
	140/400	140	400	EXPLORER

hose	nozzle	machine pressure						sprinkler pressure	throw	irrigated width	capacity		irrigated surface						rain mm.			
		atm									atm	m	m	l/sec.	l/min.	ha						10 m/h
		<b>600m</b>												<b>600m</b>								
110	28	7,4						3,0	43,0	73	14,1	848	4,60							69,6	23,2	13,9
		9,6						4,0	48,0	82	16,3	980	5,16							72,1	24,0	14,4
	30	11,2						4,0	50,0	85	18,8	1127	5,38							79,5	26,5	15,9
		13,8						5,0	54,0	92	21,0	1260	5,84							82,4	27,5	16,5
	32	19,1						6,0	59,5	101	26,2	1570	6,47							93,1	31,0	18,6
		22,1						7,0	63,0	107	28,2	1693	6,88							94,9	31,6	19,0
		<b>500m</b>												<b>500m</b>								
125	32	7,9						4,0	54,0	92	21,4	1282	4,92							83,8	27,9	16,8
		9,6						5,0	58,0	99	23,9	1432	5,31							87,1	29,0	17,4
	36	12,7						6,0	64,0	109	29,6	1773	5,90							97,8	32,6	19,6
		14,7						7,0	68,0	116	31,9	1913	6,30							99,3	33,1	19,9
	38	16,5						7,0	70,0	119	35,7	2143	6,51							108,1	36,0	21,6
		18,7						8,0	74,0	126	38,3	2295	6,91							109,5	36,5	21,9
		<b>400m</b>												<b>400m</b>								
140	34	7,6						5,0	59,0	100	27,0	1618	4,41							96,8	32,3	19,4
		9,0						6,0	64,0	109	29,6	1773	4,82							97,8	32,6	19,6
	36	9,6						6,0	66,0	112	33,1	1988	4,98							106,3	35,4	21,3
		11,1						7,0	70,0	119	35,7	2143	5,32							108,1	36,0	21,6
	38	11,9						7,0	72,0	122	39,8	2390	5,48							117,2	39,1	23,4
		13,5						8,0	76,0	129	42,6	2558	5,82							118,8	39,6	23,8

### Weight and overall dimensions



Model		A		B		c		Kg	
GG	3550**	3150**	4100**	2450	2500	3250	4300	6200	4300-5000

\*\* +100 su 140/350 140/400

I dati della presente scheda sono indicativi, possono variare senza preavviso.

**Ferbo srl** - Via Foglia, 2  
61026 Lunano (PU) Italy  
Tel. +39 0722 700315  
Fax +39 0722 700309  
Web: www.ferbo.net  
Email: info@ferbo.net

Iscrizione Reg. Imp.  
22506 Pesaro Urbino  
(Tribunale di Urbino)  
REA PU nr. 143014  
P.IVA 01446890418

