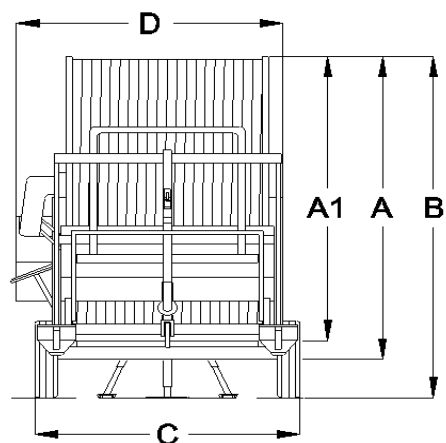
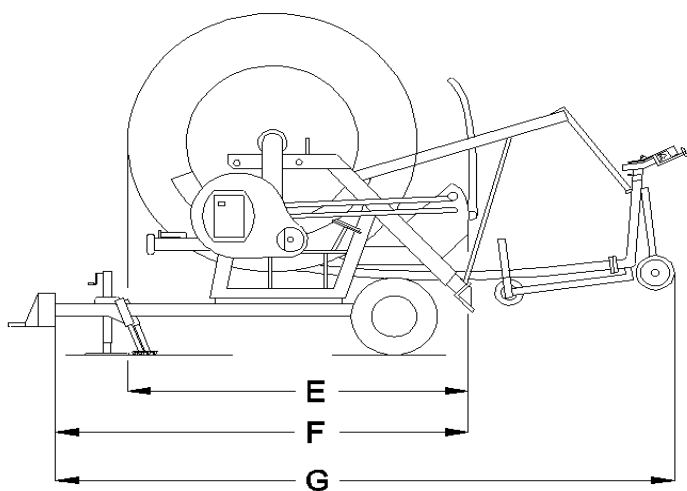


**Standard equipment**

- Efficient turbine drive mounted in monobloc with the gerabox;
- Double water inlet;
- 4 speed gearbox and equipped with automatic drive disengagement and assistance quick hose-rewinding;
- Safety devices for PTO and rewinding out of the drum;
- Moving transmission to the reel through toothed crown of huge diameter;
- Leadscrew hose layering device;
- Automatic and manual by-pass;
- Speed control;
- Pressure gauge and standard hours meters;
- Huge diameter ball 360° turntable;
- Rotation device directly setting by hydraulic trolley lift;
- Hydraulic trolley lift and staker legs;
- Supplementary staker legs on the shaft;
- Galvanized frame and paint drum;
- Galvanized water-course and accessories;
- 3 wheel galvanized sprinkler-trolley with adjustable track;
- Accident protections;
- Sprinkler with 3 nozzles set;
- High resistant "Medium density" PE-hose with differentiated thickness from $\varnothing 90$ on;
- Instructions and maintenance handbook;
- Guarantee coupon.

Weight and overall dimensions



Model		A		B		c		Kg	
GE	3100*	2900*	3350*	2350	2150	2700	3650	5800	3150-4000

* +250 su 100/500 110/450 125/300 125/340 125/380 125/400 140/280 140/300

I dati della presente scheda sono indicativi, possono variare senza preavviso.

Ferbo srl - Via Foglia, 2
61026 Lunano (PU) Italy
Tel. +39 0722 700315
Fax +39 0722 700309
Web: www.ferbo.net
Email: info@ferbo.net

Iscrizione Reg. Imp.
22506 Pesaro Urbino
(Tribunale di Urbino)
REA PU nr. 143014
P.IVA 01446890418

