

Technical sheet

GB



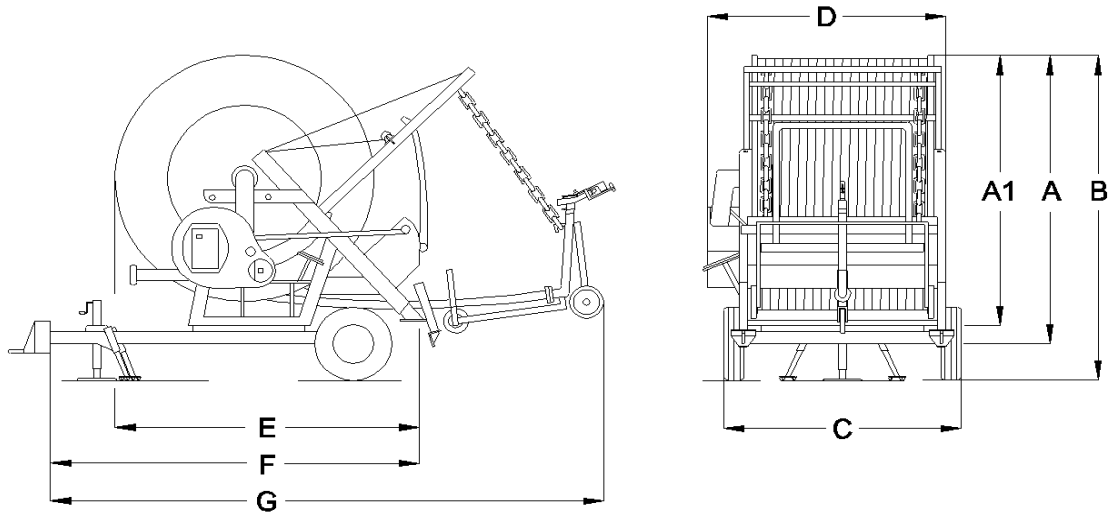
Standard equipment

- Efficient turbine drive mounted in monobloc with the gerabox;
- 4 speed gearbox and equipped with automatic drive disengagement and assistance quick hose-rewinding;
- Safety devices for PTO and rewinding out of the drum;
- Digital meter counter;
- Moving transmission to the reel through toothed crown of huge diameter;
- Leadscrew hose layering device;
- Automatic and manual by-pass;
- Speed control;
- Manometer;
- Huge diameter ball 360° turntable;
- Hydraulic trolley lift and staker legs driven by manual winch;
- Supplementary staker legs on the shaft;
- Galvanized frame and paint drum;
- Galvanized water-course and accessories;
- 3 wheel galvanized sprinkler-trolley with adjustable track;
- Accident protections;
- Sprinkler with 3 nozzles set;
- High resistant "Medium density" PE-hose with differentiated thickness from ø90 on;
- Instructions and maintenance handbook;
- Guarantee coupon.

Model	Code	Hose diameter ømm	Hose lenght (m.)	Sprinkler
GB	70/300	70	300	SINKRO
	75/300	75	300	SINKRO
	75/320	75	320	SINKRO
	82/220	82	220	SINKRO
	82/250	82	250	SINKRO
	82/300	82	300	SINKRO
	90/220	90	220	RANGER
	90/240	90	240	RANGER

hose	nozzle	machine pressure						sprinkler pressure	throw	Irrigated width	capacity		Irrigated surface						mm. Rain																			
		atm									atm	m	m	l/sec.	l/min.	ha						10 m/h	30 m/h	50 m/h														
		300m										300m																										
70	16	3,7					2,0	27,0	46	3,8	225	1,46																	29,4	9,8	5,9							
		5,3					3,0	32,0	54	4,6	275	1,75																	30,3	10,1	6,1							
	18	6,4					3,0	34,0	58	5,8	350	1,87																	36,3	12,1	7,3							
		8,3					4,0	38,0	65	6,7	403	2,10																	37,5	12,5	7,5							
	20	10,2					4,0	40,0	68	8,3	500	2,22																	44,1	14,7	8,8							
		12,6					5,0	44,0	75	9,3	560	2,46																	44,9	15,0	9,0							
		300m	320m									300m	320m																									
75	16	3,4	3,5				2,0	27,0	46	3,8	225	1,46	1,55															29,4	9,8	5,9								
		4,8	4,9				3,0	32,0	54	4,6	275	1,75	1,86															30,3	10,1	6,1								
	18	5,5	5,8				3,0	34,0	58	5,8	350	1,87	1,98															36,3	12,1	7,3								
		7,1	7,5				4,0	38,0	65	6,7	403	2,10	2,23															37,5	12,5	7,5								
	20	8,5	9,0				4,0	40,0	68	8,3	500	2,22	2,36															44,1	14,7	8,8								
		10,5	11,1				5,0	44,0	75	9,3	560	2,46	2,61															44,9	15,0	9,0								
		220m	250m	300m								220m	250m	300m																								
82	18	3,1	3,2	3,4			2,0	29,0	49	4,8	285	1,18	1,33	1,57														34,7	11,6	6,9								
		4,4	4,5	4,8			3,0	34,0	58	5,8	350	1,40	1,58	1,87														36,3	12,1	7,3								
	20	4,8	5,0	5,4			3,0	36,0	61	7,2	432	1,49	1,68	1,98														42,3	14,1	8,5								
		6,2	6,4	7,0			4,0	40,0	68	8,3	500	1,68	1,88	2,22														44,1	14,7	8,8								
	22	8,5	9,0	10,0			5,0	45,0	77	11,3	675	1,91	2,14	2,52														52,9	17,6	10,6								
		10,1	10,6	11,8			6,0	48,0	82	12,3	740	2,06	2,30	2,71														54,4	18,1	10,9								
		220m	240m									220m	240m																									
90	22	4,7	4,8				3,0	38,5	65	8,7	522	1,61	1,74															47,8	15,9	9,6								
		6,0	6,2				4,0	42,5	72	10,1	603	1,79	1,94														50,1	16,7	10,0									
	24	6,6	6,8				4,0	44,5	76	12,0	720	1,89	2,04															57,1	19,0	11,4								
		8,2	8,4				5,0	49,0	83	13,4	805	2,10	2,27															58,0	19,3	11,6								
	26	9,1	9,4				5,0	50,0	85	15,8	945	2,15	2,32															66,7	22,2	13,3								
		10,8	11,2				6,0	54,0	92	17,3	1037	2,35	2,53															67,8	22,6	13,6								

Weight and overall dimensions



Model	A	A1	B	C	D	E	F	G	Kg
GB	2100		2400	1860	1670	1900	2900	4400	1500-1600

I dati della presente scheda sono indicativi, possono variare senza preavviso.

Ferbo srl - Via Foglia, 2
61026 Lunano (PU) Italy
Tel. +39 0722 700315
Fax +39 0722 700309
Web: www.ferbo.net
Email: info@ferbo.net

Iscrizione Reg. Imp.
22506 Pesaro Urbino
(Tribunale di Urbino)
REA PU nr. 143014
P.IVA 01446890418



Tech. Dpt.