

Technical sheet

GB (BASE)

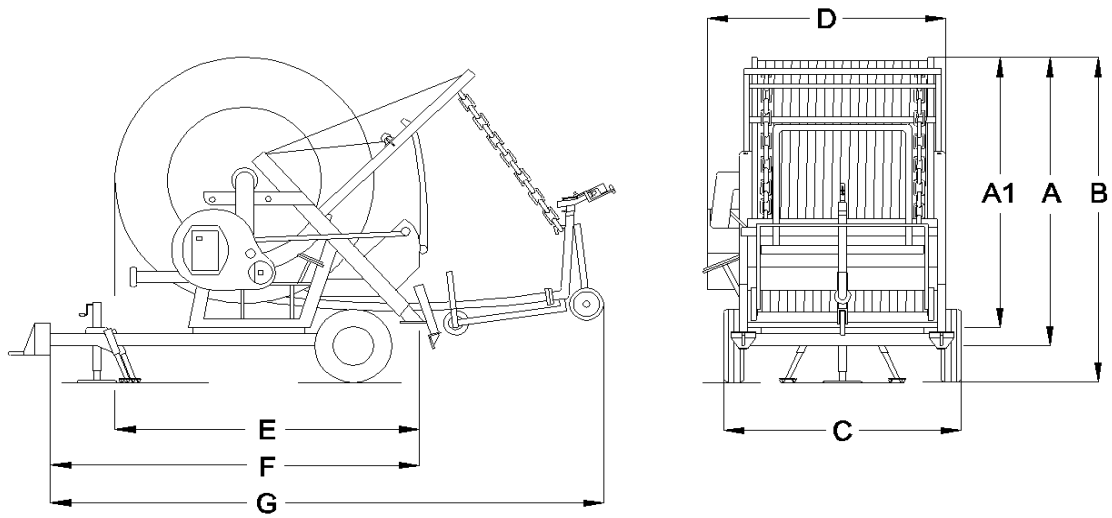


N.B. Modello illustrato potrebbe non corrispondere a quello realmente fornito (tetto non presente nella versione standard)

Standard equipment

- Efficient turbine drive mounted in monobloc with the gerabox;
- 4 speed gearbox and equipped with automatic drive disengagement and assistance quick hose-rewinding;
- Safety devices for PTO and rewinding out of the drum;
- Digital meter counter;
- Moving transmission to the reel through toothed crown of huge diameter;
- Leadscrew hose layering device;
- Automatic and manual by-pass;
- Speed control;
- Manometer;
- Huge diameter ball 360° turntable;
- Hydraulic trolley lift and staker legs driven by manual winch;
- Supplementary staker legs on the shaft;
- Galvanized frame and paint drum;
- Galvanized water-course and accessories;
- 3 wheel galvanized sprinkler-trolley with adjustable track;
- Accident protections;
- Sprinkler with 3 nozzles set;
- High resistant "Medium density" PE-hose with differentiated thickness from $\varnothing 90$ on;
- Instructions and maintenance handbook;
- Guarantee coupon.

Weight and overall dimensions



Model	A	A1	B	C	D	E	F	G	Kg
GB	2100		2400	1860	1670	1900	2900	4400	1500-1600

I dati della presente scheda sono indicativi, possono variare senza preavviso.



Tech. Dpt.