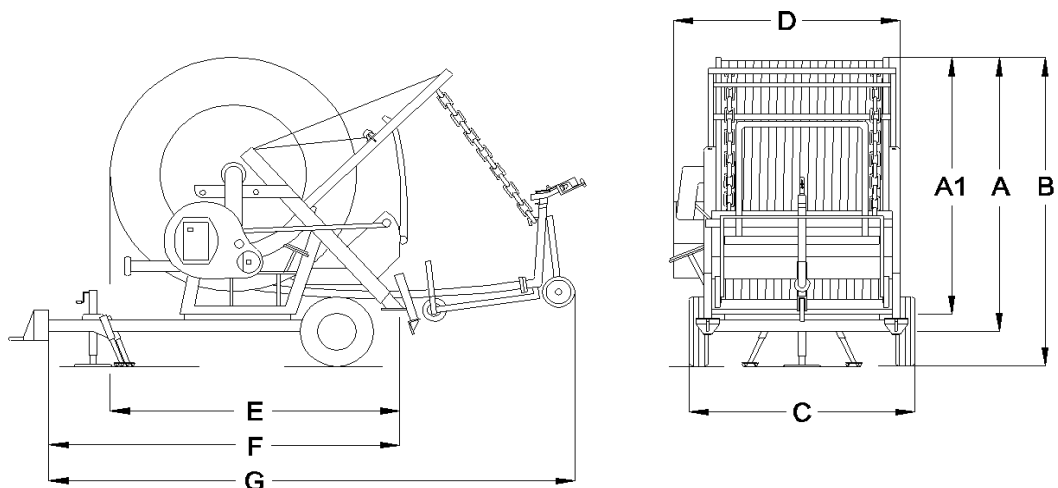



Standard equipment

- Efficient turbine drive mounted in monobloc with the gerabox;
- 4 speed gearbox and equipped with automatic drive disengagement and assistance quick hose-rewinding;
- Safety devices for PTO and rrewinding out of the drum;
- Digital meter counter;
- Moving transmission to the reel through toothed crown of huge diameter;
- Leadscrew hose layering device;
- Automatic and manual by-pass;
- Speed control;
- Manometer;
- Huge diametre ball 360° turntable;
- Hydraulic trolley lift and staker legs driven by manual winch;
- Supplementary staker legs on the shaft;
- Galvanized frame and paint drum;
- Galvanized water-course and accessories;
- 3 wheel galvanized sprinkler-trolley with adjustable track;
- Accident protections;
- Sprinkler with 3 nozzles set;
- High resistant "Medium density" PE-hose with differentiated thickness from ø90 on;
- Instructions and maintenance handbook;
- Guarantee coupon.

Weight and overall dimensions



Serie	A	A1	B	C	D	E	F	G	Kg
GA	1800		2060	1560	1500	1800	2650	4200	1000

I dati della presente scheda sono indicativi, possono variare senza preavviso.

Ferbo srl - Via Foglia, 2
61026 Lunano (PU) Italy
Tel. +39 0722 700315
Fax +39 0722 700309
Web: www.ferbo.net
Email: info@ferbo.net

Iscrizione Reg. Imp.
22506 Pesaro Urbino
(Tribunale di Urbino)
REA PU nr. 143014
P.IVA 01446890418

