

Technical sheet

G



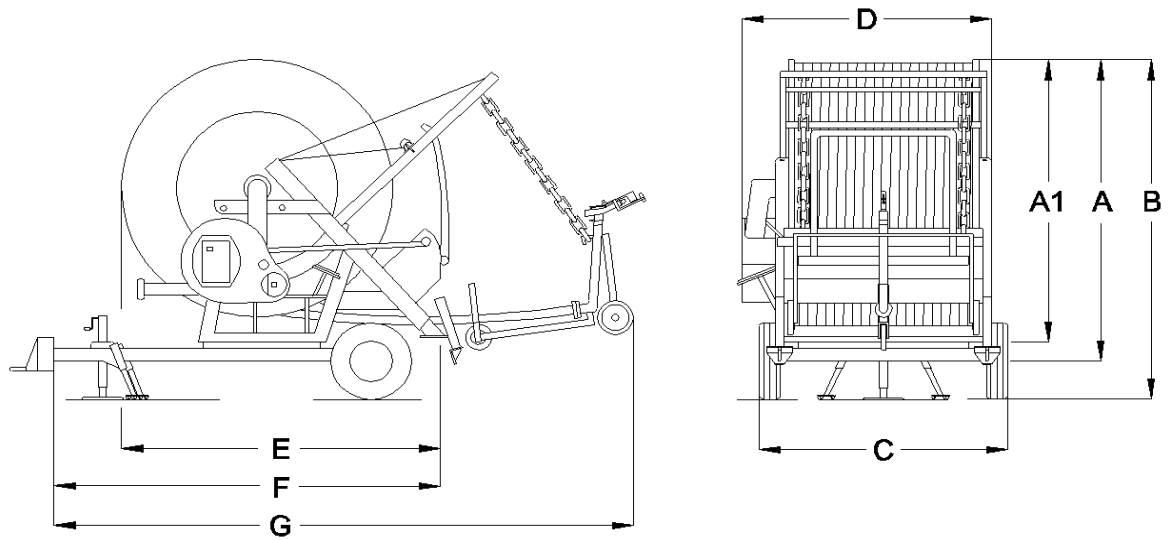
Standard equipment

- Efficient turbine drive mounted in monobloc with the gerabox;
- 1 speed gearbox and equipped with automatic drive disengagement and assistance quick hose-rewinding;
- Safety devices for PTO and rrewinding out of the drum;
- Digital meter counter;
- Moving transmission to the reel through toothed crown of huge diameter;
- Leadscrew hose layering device;
- Automatic and manual by-pass;
- Speed control;
- Manometer;
- Huge diametre ball 360° turntable;
- Hydraulic trolley lift and staker legs driven by manual winch;
- Supplementary staker legs on the shaft;
- Galvanized frame and paint drum;
- Galvanized water-course and accessories;
- 3 wheel galvanized sprinkler-trolley with adjustable track;
- Accident protections;
- Sprinkler with 3 nozzles set;
- High resistant "Medium density" PE-hose with differentiated thickness from ø90 on;
- Instructions and maintenance handbook;
- Guarantee coupon.

Model	Code	Hose diameter ømm	Hose lenght (m.)	Sprinkler
G	50/240	50	240	AMBO/163
	63/200	63	200	SENIOR

hose	nozzle	machine pressure						sprinkler pressure	throw	Irrigated width	capacity		irrigated surface					mm. Rain				
		atm									atm	m	m	l/sec.	l/min.	ha					10 m/h	30 m/h
mm	mm																					
		240m												240m								
50	10	4,3						2,0	18,0	31	2,2	130	0,77							25,5	8,5	5,1
		6,2						3,0	21,0	36	2,6	158	0,91							26,6	8,9	5,3
	12	8,0						3,0	22,0	37	3,4	207	0,95							33,2	11,1	6,6
		10,4						4,0	25,0	43	4,0	238	1,09							33,6	11,2	6,7
	14	13,9						4,0	26,0	44	5,1	305	1,14							41,4	13,8	8,3
		17,2						5,0	28,5	48	5,7	342	1,25							42,3	14,1	8,5
		200m												200m								
63	14	3,5						2,0	23,0	39	3,3	195	0,84							29,9	10,0	6,0
		5,0						3,0	28,0	48	4,0	238	1,04							30,0	10,0	6,0
	16	5,9						3,0	30,0	51	5,1	303	1,12							35,7	11,9	7,1
		7,6						4,0	34,0	58	5,8	350	1,29							36,3	12,1	7,3
	18	9,3						4,0	35,0	60	7,3	437	1,33							44,0	14,7	8,8
		11,4						5,0	38,0	65	8,1	487	1,46							45,2	15,1	9,0

Weight and overall dimensions



Model	A	A1	B	C	D	E	F	G	Kg
G	1650		1900	1460	1430	1750	2500	4000	900

I dati della presente scheda sono indicativi, possono variare senza preavviso.

Ferbo srl - Via Foglia, 2
61026 Lunano (PU) Italy
Tel. +39 0722 700315
Fax +39 0722 700309
Web: www.ferbo.net
Email: info@ferbo.net

Iscrizione Reg. Imp.
22506 Pesaro Urbino
(Tribunale di Urbino)
REA PU nr. 143014
P.IVA 01446890418



Tech. Dpt.