



N.B. Modello illustrato potrebbe non corrispondere a quello realmente fornito (tetto non presente nella versione standard)

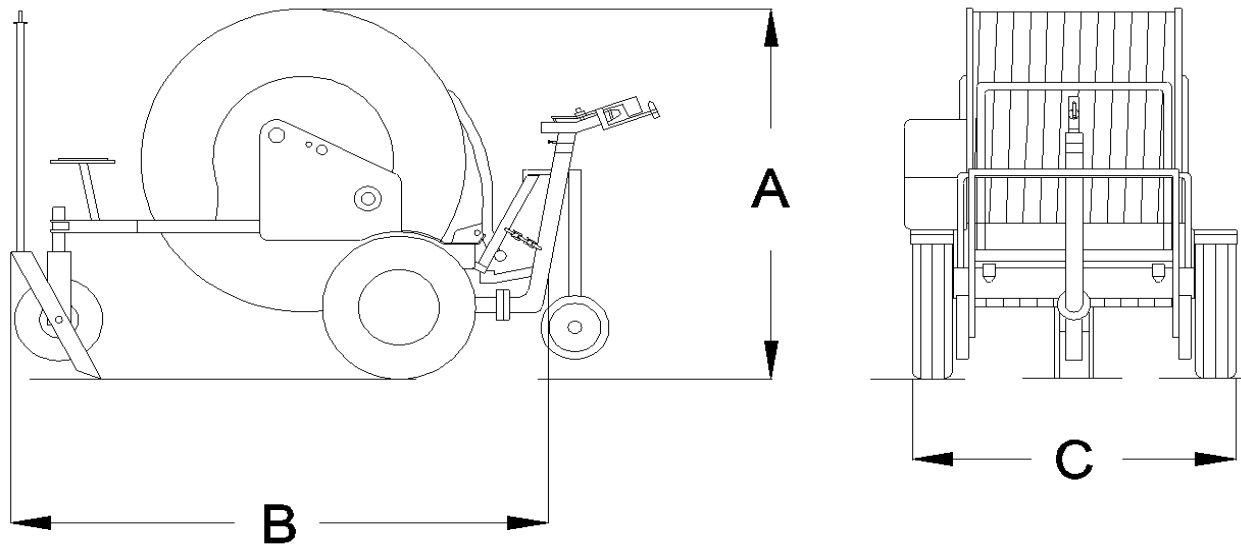
Standard equipment

- 3 wheels chassis (2 fixed and the 3rd one pivoting) ;
- Efficient turbine drive mounted in monobloc with the gearbox;
- Single speed gearbox with automatic drive disengagement;
- Moving transmission to the reel through toothed crown;
- Leadscrew hose layering device;
- Manual by-pass;
- Speed control;
- Manometer;
- Automatic foldaway trolley lift;
- Main frame, water-course and accessories hot galvanized;
- Galvanized sprinkler trolley with adjustable track;
- Accident protections;
- Sprinkler with set of nozzles;
- High resistance polyethylene hose with medium density;
- Instructions and maintenance handbook;
- Guarantee coupon.

Model	Code	Hose diameter \varnothing (mm.)	Hose lenght (m.)	Sprinkler
FB	50/150	50	150	AMBO/163
	63/100	63	100	SENIOR

hose	nozzle	machine pressure						sprinkler pressure	throw	irrigated width	capacity		irrigated surface					rain mm.			
		atm									atm	m	m	l/sec.	l/min.	ha					10 m/h
		150m											150m								
50	10	3,6						2,0	18,0	31	2,2	130	0,50						25,5	8,5	5,1
		5,2						3,0	21,0	36	2,6	158	0,59						26,6	8,9	5,3
	12	6,3						3,0	22,0	37	3,4	207	0,62						33,2	11,1	6,6
		8,2						4,0	25,0	43	4,0	238	0,71						33,6	11,2	6,7
	14	10,4						4,0	26,0	44	5,1	305	0,74						41,4	13,8	8,3
		12,8						5,0	28,5	48	5,7	342	0,82						42,3	14,1	8,5
		100m											100m								
63	14	3,0						2,0	23,0	39	3,3	195	0,45						29,9	10,0	6,0
		4,2						3,0	28,0	48	4,0	238	0,56						30,0	10,0	6,0
	16	4,7						3,0	30,0	51	5,1	303	0,61						35,7	11,9	7,1
		6,1						4,0	34,0	58	5,8	350	0,71						36,3	12,1	7,3
	18	6,9						4,0	35,0	60	7,3	437	0,73						44,0	14,7	8,8
		8,4						5,0	38,0	65	8,1	487	0,81						45,2	15,1	9,0

Weight and overall dimensions



Model	A	B	c	Kg
FB	1500	1800	1300	450

I dati della presente scheda sono indicativi, possono variare senza preavviso.

Ferbo srl - Via Foglia, 2
61026 Lunano (PU) Italy
Tel. +39 0722 700315
Fax +39 0722 700309
Web: www.ferbo.net
Email: info@ferbo.net

Iscrizione Reg. Imp.
22506 Pesaro Urbino
(Tribunale di Urbino)
REA PU nr. 143014
P.IVA 01446890418

